

RADAM SQUARE ABOVE COUNTER BASIN

Cat. No
5-326



Interior-view

Top Dimension: $15\text{-}\frac{3}{4}\text{'}$ x $15\text{-}\frac{3}{4}\text{'}$
Bottom Dimension: $7\text{-}\frac{3}{4}\text{'}$ x $7\text{-}\frac{5}{8}\text{'}$

Above counter height: 6"

Interior Dimensions:

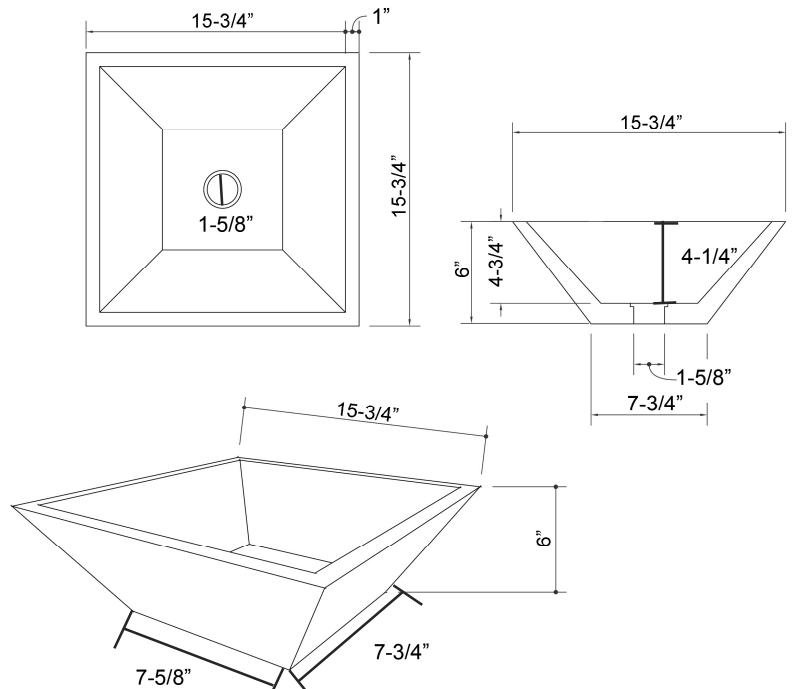
Basin Interior: 14" x 14"
Basin Depth: 4- $\frac{1}{4}$ "

Features:

- ▶ Seamless concrete construction
- ▶ Above counter basin
- ▶ Mold casted basin is finished by hand
- ▶ 3 Layer coating provides waterproof basin that guards against cracking or scratching
- ▶ 1" Rim
- ▶ No overflow
- ▶ Available in 3 colors
- ▶ To be used with Grid Drain # 5601 or Umbrella Drain #UD701 (Not included)

Colors:

CGC Copper Green
CDG Dusk Gray
CVB Vintage Brown



Dimensions of fixture are nominal and may vary slightly. Dimensions and specifications subject to change without notice.